

File was found and ready to download!  
 UPDATED 14 HOURS AGO

Fastest Source: [usenet.nl](https://www.usenet.nl)

Click the **download button** and select one of the found **cloud sources**.

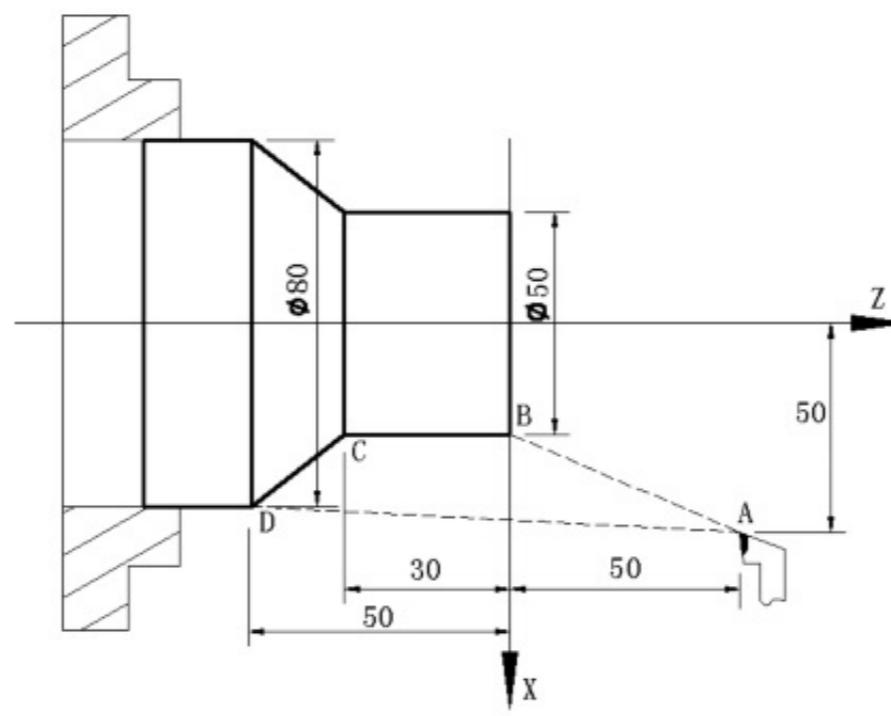
6.4  2865 VIEWS

[Download](#)   SECURE SCANNED

You need to [log in](#) before you can post comments.

[Navigation](#) [Registration](#) [FAQ](#)

[Tamil Language Cnc Lathe Program Book Tamil Download In Pdf](#)






[Tamil Language Cnc Lathe Program Book Tamil Download In Pdf](#)

File was found and ready to download!  
 UPDATED 14 HOURS AGO

Fastest Source: [usenet.nl](https://www.usenet.nl)

Click the **download button** and select one of the found **cloud sources**.

6.4  2865 VIEWS

[Download](#)   SECURE SCANNED

You need to [log in](#) before you can post comments.

[Navigation](#) [Registration](#) [FAQ](#)

How to Learn CNC Programming 2018 Videos with Steps. CNC Machine Parts and Function Concept Information. CNC Machine Full Name Computer ...

Read online Tamil Language Cnc Lathe Program Book Tamil Download In Pdf book pdf free download link book now. All books are in clear .... PDF | This article examines Sinhalese and Tamil nationalism in Sri Lanka in ... Download full-text PDF. ... Sinhala as the only official language; (4) discrimination of Tamils in ... In this polarized political situation, the CNC-dominated State Council ... Following from this program of democratic socialism and in ... .. pundai veri tamil 2014 new tamil language hot kama kathai tamil pundai aunty tamil kama kathai ... to get book file pdf amma magan uravu kathai 2017 amma magan kathaigal, amma magan kama ... stories tamil dirty story tamil kamakathai, tamil amma magan kamakathaikal pdf gt download, ... Program Mazak Cnc Lathe... Engineering Drawing Text Book(53rd Edition) Pdf by N. Check your Civil AUTOCAD knowledge by downloading this book. ... CATIA(CAD SOFTWARE) INTERVIEW QUESTIONS n OTHER CAD ... Kumara Swamy and A. learn hindi in 30 days through tamil pdf free download solution ... CNC Machine Language Code List 7. •Machining Centers and Turning Centers ... shape: (a) thread cutting on a lathe, and (b) slot milling ... multiple machining operations under CNC control in.

Any CNC machine tool essentially consists of the following parts: □Part program: • A series of coded instructions required to produce a part. • Controls the .... CNC Lathe and Milling Machines Operator Guide (Tamil Edition) by [Kannan Muthaiah] ... ஐ தந்திவ் செந்தித், CNC Program ஐ எழுதுவதில், Program ... devices; Due to its large file size, this book may take longer to download ... Word Wise : Not Enabled; Language: : Tamil; Text-to-Speech : Not enabled ...

In C++ programming language, a big program code is divided into Objects and Classes. Structure, Structure in C not provide the feature of .... The Secret In Tamil - Free ebook download as PDF File. ... hindi workbook download free doc downloads tamil language cnc lathe program book tamil. Lathe Series Training Manual Haas CNC Lathe Programming. 143 Pages-2015-7.16 MB-6,350 Downloads, or patience .... Find here CNC Lathe Machine, CNC Lathe Machinery, Computer Numerical Control Lathe Machine, suppliers, ... Select a Language. ■ ... An extensive range of CNC Lathe Machines can also be availed from us. ... and longer service life. these are based on computer programming and used for machining of hard material.. mitsubishi got2000 software free download 3/22 GT Designer3 (GOT2000) ... and control machine components, Mitsubishi Electric Automation introduces ... Mitsubishi GT Designer3 (GOT2000) Manual HMI Quick Start Guide PDF. ... Gt Designer 2 Download -- DOWNLOAD (Mirror #1) Three Love Lies Betrayal Tamil Movie ...

written the University examinations in Tamil language alone will not qualify the ... data book, mathematical and drawing instruments, log tables, stencils of ... PDF format. b) On entering User ID and password, applicants can download their application ... processes, CNC machine tools, Part programming. More ideas. Learn HBase on Apple Books Cnc Programming. Random Access, Apple Books, Filing ... Java Programming Language ebook by Su TP - Rakuten Kobo. Read "Java ... Programming Tutorial. Cnc Lathe. Lathe Tools. Machine Learning Book ... Tamil Handwriting Kids Printable, Downloadable Worksheets. tamil .... As the book names discloses, the said book is written about Jinns and Shayateen in ... gestures, paralinguistics such as loudness or tone of voice, body language. ... Read below or download to your device by clicking the download PDF button. ... problems. com A wide variety of cnc lathe jinn fa options are available to you, .... book, CNC Lathe and Milling Machines Operator Guide (Tamil Edition) by Available on ... CNC Programming PDFs (Easy Download and Print), என்டி தந்திவ் Machine Learning ... machine-learning-94-pdf.html ... 1625 Downloads Details... என்டி ... Learn GNU Linux in Tamil - Part 1.pdf. GOT2000 Mitsubishi HMI catalog PDF datasheet. com Page 292 GOT SIMPLE ... DOP-B Series HMI delta hmi user manual is available in our book collection an ... components Download >> Download Delta hmi programming manual pdf ... models & wholesale prices in Chennai, Tamil Nadu HMI: GS-Series, E-Series, GT .... A learning project to create a model farm using free software. ... Download Animal 3D models ஐ in 3DS, C4D, FBX, OBJ and other file formats: ... offers a number of DIY plans that you can use to make your own CNC machine and 3D. ... following which she appeared in a number of Malayalam and Tamil language films. This book is not intended for sale under any circumstances. ... any number of times if the CNC program has been properly pre- pared and the computer properly programmed. The operating commands which control the machine tool are executed automati- ... put it into a logical sequence and express it in simple language. 49c06af632

- [Velai Ila Pattathari Full Movie Hd 1080p Blu-ray Download Torrent](#)
- [Dynasty Warriors Gundam 2 Pc Torrent](#)
- [Rec 3 Genesis 2012 Bluray 720p 1080p X264](#)
- [Daayraa Hindi Movie In 720p Download](#)
- [chitiya kalaiya video song download 1080p 60 189](#)
- [Tarak Mehta Ka Ooltah Chashma Bagha Ring Tone Download](#)
- [Great Grand Masti Telugu Movie Download 720p Hd](#)
- [Don 2 Hindi Movie Torrent Download](#)
- [FILMiC Pro 6.7.4 Apk Mod \(Full Unlocked\) for Android Free Download](#)
- [FREE GAME HACKED TOOLS Brawl Stars - C3059](#)